

3. Explanation of Special Applications

Penetrations with Zero Distance to Construction (U-shape)

With plastic pipes with an annular space (≤ 30 mm) through Flexible walls, rigid walls or floors, the Multicollar *Slim* must be extended by 15 segments; see figure 1. The starting point is diameter of the pipe, irrespective of whether it is fitted with decoupling acoustic insulation; see figure 3. With this type of penetration, the increase in the pipe diameter has been taken into account through couplers such as sliding sleeves, etc. The ends of the stainless steel belt must have a 90° bend for this solution to function correctly. The space between the Multiclips in the bend must not exceed a maximum of 15 segments; see figure 4.

Usage table with annular space

Ø External [mm]	Segments
40	30
50	32
56	33
63	34
70	36
75	37
80	38
90	40
100	42
110	44

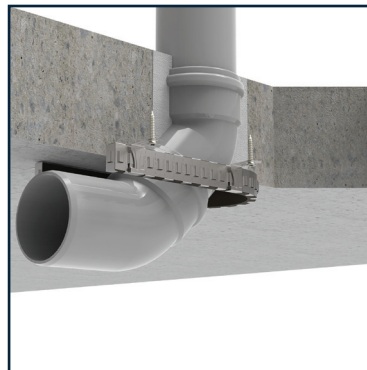


Figure 1

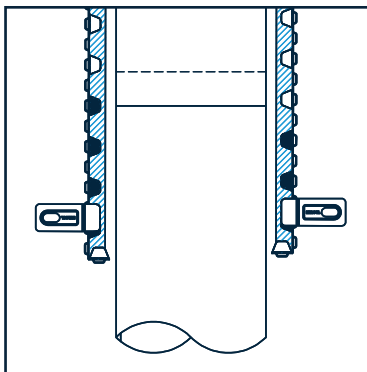


Figure 2

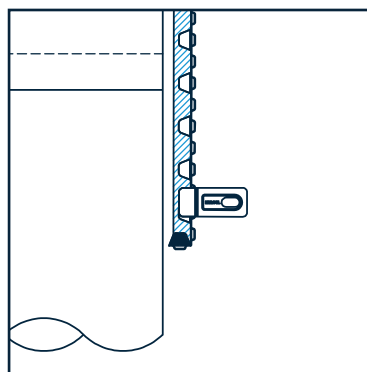


Figure 3

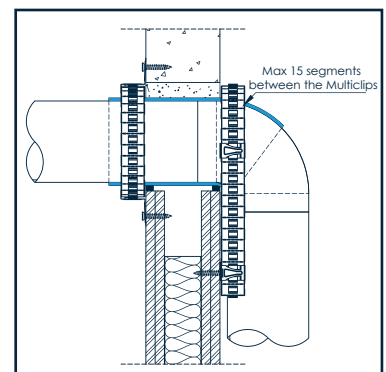


Figure 4

